

|||

# LANCASTER<sup>®</sup>

---

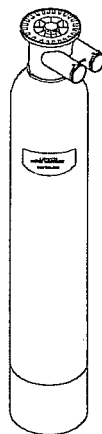
# WATER TREATMENT

## INSTALLATION, OPERATING AND SERVICE MANUAL

---

### ACID NEUTRALIZER WITH THE D1220 1" IN/OUT HEAD WITH FILL PORT

- 7-UFAN-1
- 7-UFAN-1.5
- 7-UFAN-2
- 7-UFAN-3



---

Congratulations on purchasing your new Lancaster Water Filter. This unit is designed to give you many years of trouble free service. When installed in accordance with the following instructions and if given reasonable care, corrected pH level in your water will be the result. For servicing and future inspection purposes, please file this booklet with your important documents.

|||

**PACKAGING:** All neutralizers are shipped from the factory in cartons.

**COMPONENTS:** Fiberglass mineral tank, in/out head, installation fitting package, wrench, distributor tube assembly, gravel support bed & calcite.

MODEL	MINERAL TANK (dia. & ht.)	A8072 GRAVEL SUPPORT BED (Lbs.)	A8021 CALCITE 50 lb. bags (Qty.)
7-UFAN-1	10 X 44	15	2
7-UFAN-1.5	10 X 54	15	3
7-UFAN-2	12 X 48	20	4
7-UFAN-3	14 X 65	25	6

**INSTALLATION:**

Place neutralizer in desired location close to water supply inlet keeping far enough away from walls and other obstructions to allow enough room for servicing the unit. If a water softener is also to be installed, generally the water softener will be placed in line after the neutralizer. Installing the acid neutralizer as an upflow filter is recommended. The words "UPFLOW INLET" and "DOWNFLOW INLET" are molded into the in/out head. Downflow installation may be used in some applications. (see page 3)

**OPTIONAL BYPASS VALVE:**

The use of a bypass valve is recommended for ease of maintenance. The bypass valve connects to the control valve body using nuts that only require hand tightening. Install with red knobs in the upward position. Press end of bypass valve with o-rings into the in/out head. **HAND TIGHTEN NUTS.**

Avoid getting primer and solvent cement on any part of the o-rings, bypass valve or in/out head. **DO NOT** use pipe dope or any other sealant on threads. Teflon tape is not necessary on the caps because of o-ring seal. **DO NOT** use Vaseline or other unacceptable lubricants on o-rings. A silicone lubricant may be used on black o-rings.

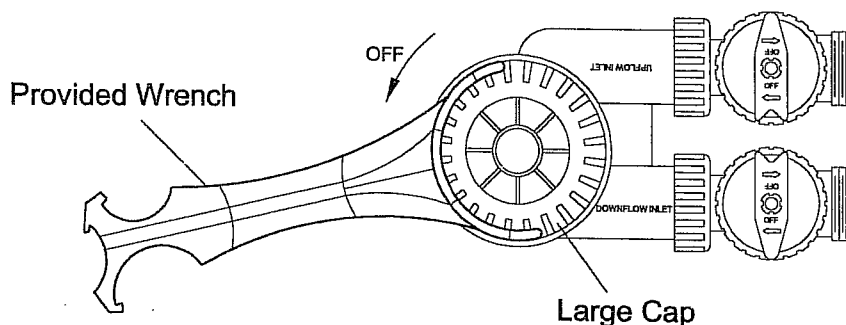
**FITTING ADAPTER:**

V3007 1" PVC Male NPT elbow assembly comes standard with each unit. Other options available (see page 4).

When assembling the installation fitting package (inlet and outlet), connect the fitting to the plumbing system first and then attach the nut, split ring and o-ring. Heat from soldering or solvent cements may damage the nut, split ring and o-ring. Solder joints should be cool and solvent cements should be set before installing the nut, split ring and o-ring. **Avoid** getting primer and solvent cement on any part of the o-rings, split rings, bypass valve or in/out head.

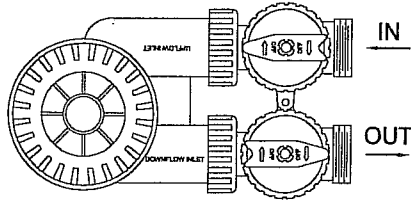
**INITIAL FILL OF CALCITE:**

Using the provided wrench, remove large cap from the top of the in/out head. Keeping the white basket in place, add the gravel support bed. Add calcite on top of the gravel support bed. Replace cap. **HAND TIGHTEN ONLY.**

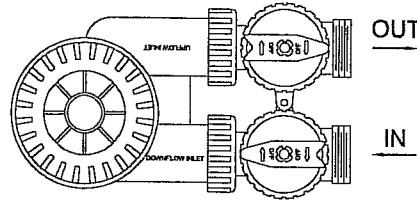


### POSITION HANDLES ON OPTIONAL BYPASS:

Orient the red handles on the bypass to point as shown below by lifting red arrow handles straight off of bypass valve and replacing in the proper position.

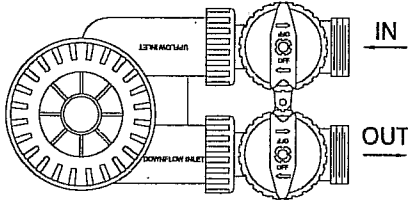


**UPFLOW NEUTRALIZER-ON**  
Recommended Installation

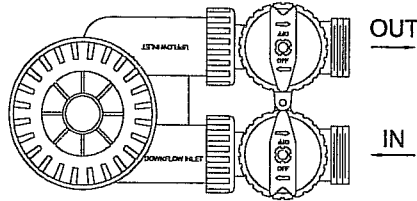


**DOWNFLOW NEUTRALIZER-ON**  
Optional Installation

Turn bypass to the OFF position and connect to water pipes.



**UPFLOW NEUTRALIZER-OFF**



**DOWNFLOW NEUTRALIZER-OFF**

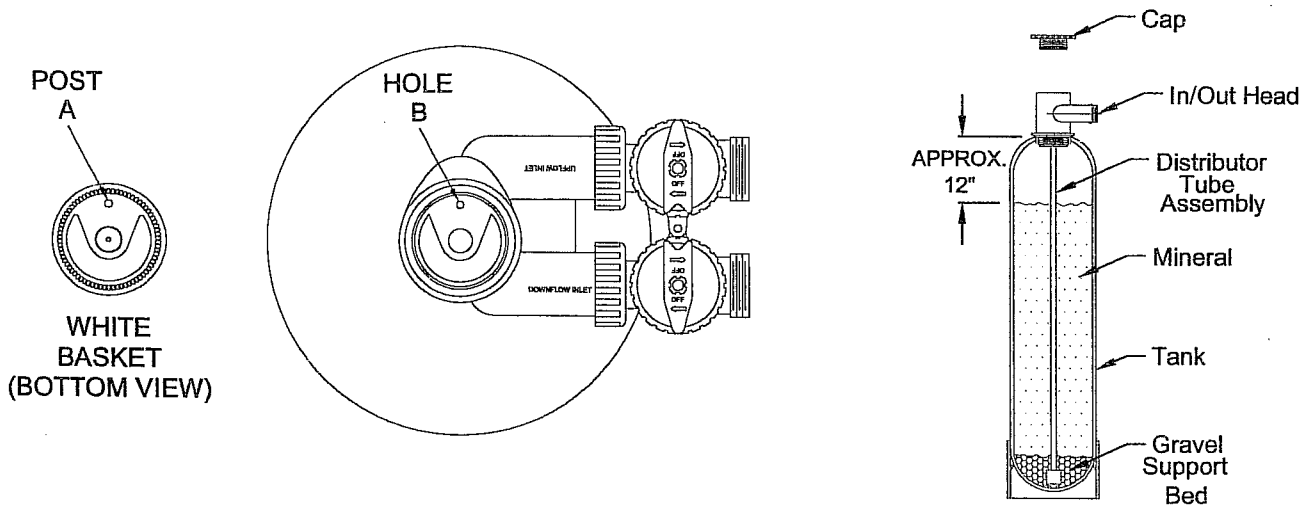
### PLACING THE NEUTRALIZER INTO SERVICE:

**SLOWLY** turn on water supply to the neutralizer. If using the optional bypass valve, slowly turn the bypass to the ON position. Open nearest cold water faucet and allow water to run until clear. Turn off faucet.

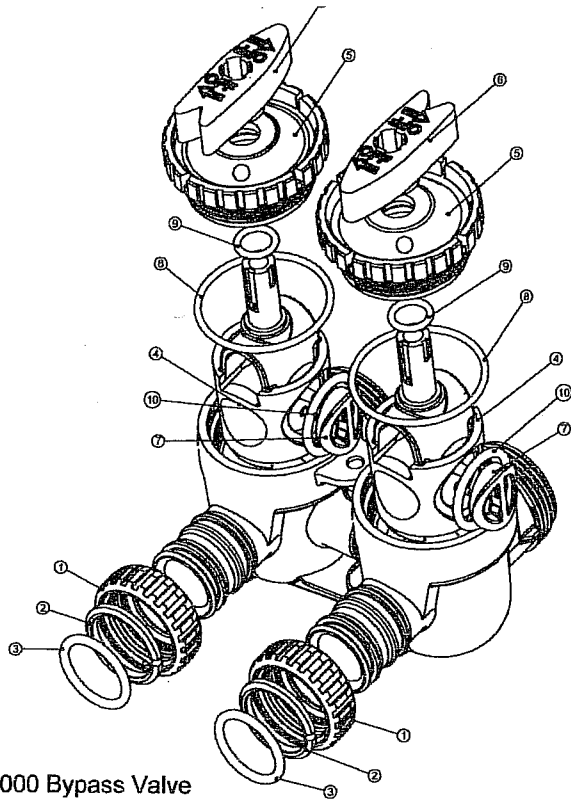
### REPLACING CALCITE:

Calcite dissolves in water and will eventually need to be replaced. To add calcite to the neutralizer, turn off water supply (turn bypass valve to the OFF position). Using the provided wrench, remove large cap. Depth of mineral can be measured by inserting a 1/4" diameter (max.) dowel into the top of the head. Replacement is recommended before tank is half-empty.

Water can be siphoned from the tank by removing the white basket by pulling it straight up. Insert a 5/8" diameter (max.) hose into the center hole of the in/out head. Siphon water. Remove hose. Replace white basket. The post of the basket (A) must be inserted into the small hole (B) in the in/out head so that the opening in the in/out head line up with the opening in the basket. Basket will not turn when properly installed.

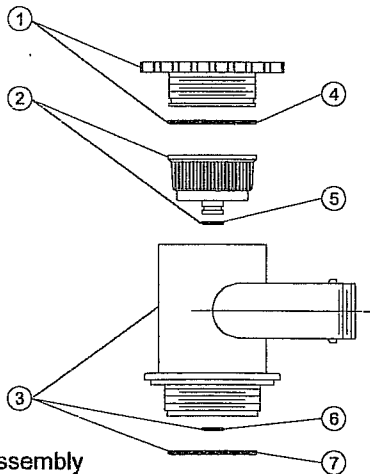


Pour calcite into basket/head assembly. Replace large cap. Hand tighten only. **SLOWLY** turn on water supply. Slowly turn bypass to the ON position to re-introduce water into the neutralizer. Open the nearest cold water tap and allow water to run until clear.



BP2000 Bypass Valve

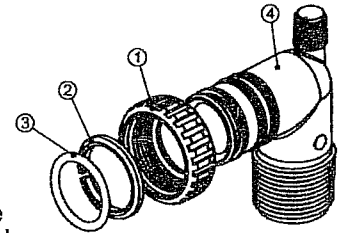
Item No.	Quantity	Part No.	Description
1	2	V3151	Nut 1" Quick Connect
2	2	V3150	Split Ring
3	2	V3105	O-Ring 215
4	2	V3145	Bypass 1" Rotor
5	2	V3146	Bypass Cap
6	2	V3147	Bypass Handle
7	2	V3148	Bypass Rotor Seal Retainer
8	2	V3152	O-Ring 135
9	2	V3155	O-Ring 112
10	2	V3156	O-Ring 214



D1220-01  
1" In/Out Head Assembly

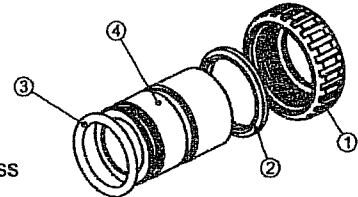
Item No.	Quantity	Part No.	Description
1	1	V3127-01A	Cap Assembly
2	1	D1242A	Basket Assembly
3	1	D1240-01A	Body Assembly
4	1	V3135	Cap O-Ring
5	1	D1242	Basket O-Ring
6	1	V3105	Distributor Tube O-Ring
7	1	V3180	Body O-Ring

## INSTALLATION FITTING PACKAGE



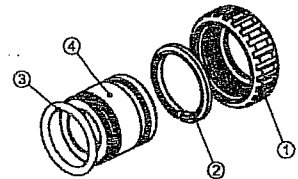
V3007 1" PVC Male  
NPT Elbow Assembly

Item No.	Quantity	Part No.	Description
1	2	V3151	Nut 1" Quick Connect
2	2	V3150	Split Ring
3	2	V3105	O-Ring 215
4	2	V3149	PVC Male NPT Elbow



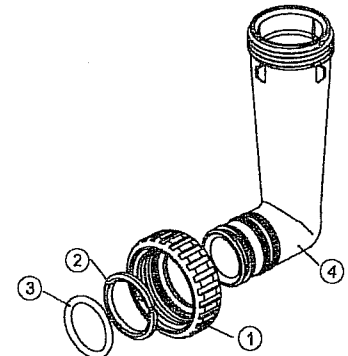
OPTIONAL:  
V3007-02 1" Brass  
Sweat Assembly

Item No.	Quantity	Part No.	Description
1	2	V3151	Nut 1" Quick Connect
2	2	V3150	Split Ring
3	2	V3105	O-Ring 215
4	2	V3188	Fitting-1" Brass Sweat



OPTIONAL:  
V3007-02 3/4" Brass  
Sweat Assembly

Item No.	Quantity	Part No.	Description
1	2	V3151	Nut 1" Quick Connect
2	2	V3150	Split Ring
3	2	V3105	O-Ring 215
4	2	V3188-01	Fitting-3/4" Brass Sweat



OPTIONAL:  
V3191-01 Vertical  
Adapter Assembly

Item No.	Quantity	Part No.	Description
1	2	V3151	Nut 1" Quick Connect
2	2	V3150	Split Ring
3	2	V3105	O-Ring 215
4	2	V3191	Vertical Adapter

**LANCASTER**

**WATER TREATMENT**

A Division of C-B Tool Co.